



BWSRB BRUCE SAND RECOVERY UNIT

The BWSRB unit is an extremely efficient sand recovery machine consisting of a double bucket wheel, centrifugal slurry pump, two hydro cyclones, collection tank and dewatering screens all on one chassis.



FEATURES & BENEFITS

- Twin Bucket wheel with variable speed control
- Weir discharge system
- Underflow rubber lined slurry pump
- Rubber lined hydro cyclones
- High frequency split deck dewatering screen
- Self regulating cyclone collection tank with built in float system
- Recovers 96/98% of all material above 75 microns
- Removes silt, slimes and clays below 75 microns
- Removes water following dewatering operation to 12-15% of residual water content
- Can produce one or two grades of material
- Adjustable chute under cyclones can allocate recoverd fines to either the course or fine product

- Processing of sand or similar materials near point of extraction
- Heavy duty robust build ideal for rugged operating environment
- Low Maintenance
- All wear parts are rubber lined

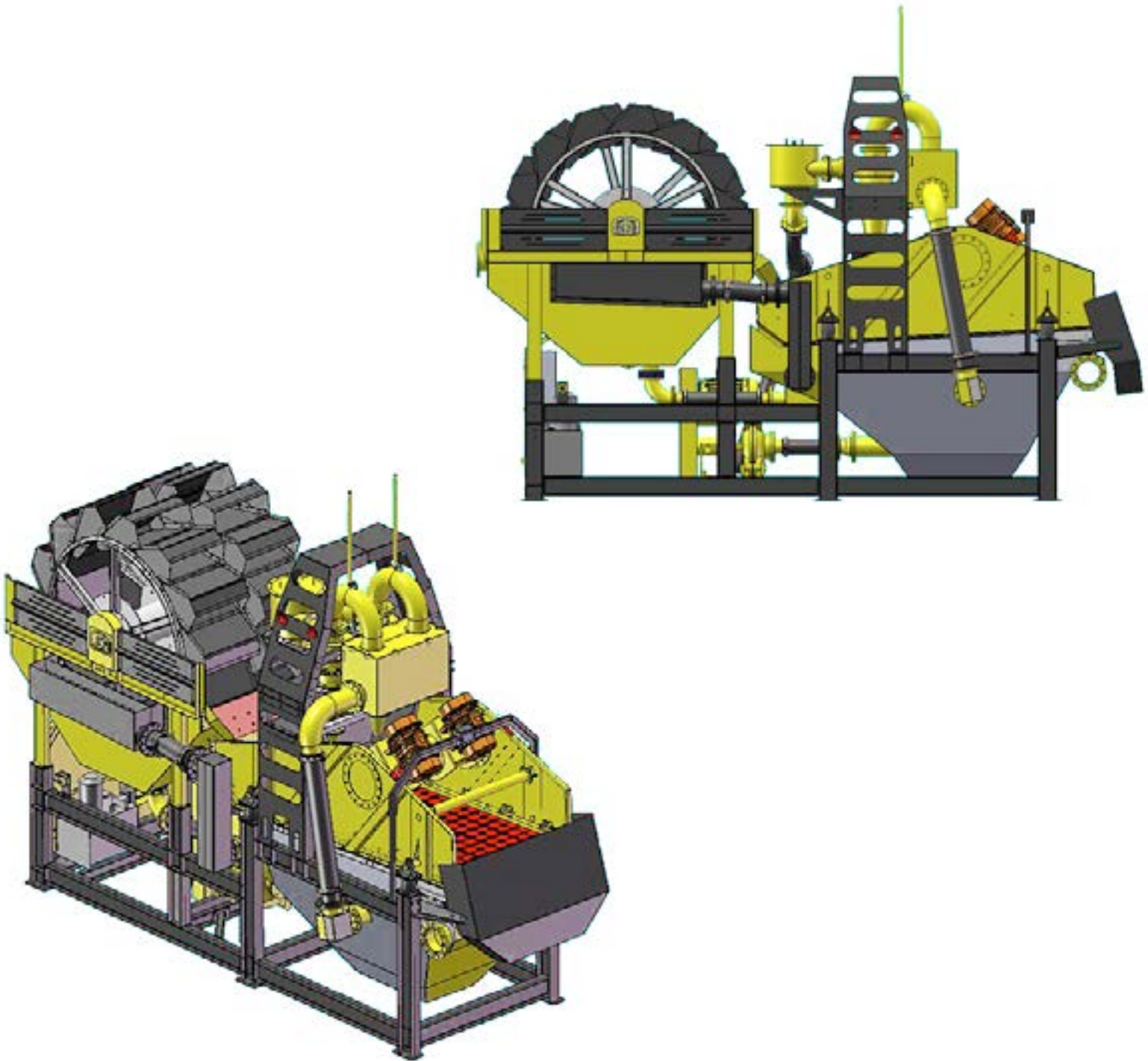
APPLICATIONS

- Sand and Gravel
- Silt
- Clay
- Crushed Rock
- Iron ore

OPTIONS

- Available in 120 / 200TPH





BWSRB DIMENSIONS

	Working Width (No Walkway)	Working Width (Incl Walkway)	Working Height	Working Length	Feed Height	Discharge Height	Estimated Weight
120BWSRB	2.7m (8.85ft)	3.7m (12.13ft)	4.7m (15.41ft)	7.3m (23.95ft)	2.7m (8.85ft)	1.2m (3.93ft)	12,000kg
200BWSRB	2.9m (9.51ft)	3.9m (12.79ft)	5.7m (18.70ft)	8.0m (26.24ft)	3.2m (10.49ft)	1.6m (5.24ft)	15,000kg

Please note measurements can be adjusted for shipping requirements.

Disclaimer- The information on this document is for reference only and can be changed without notice at any time.
Please note any performance information is for guidance only and is not guaranteed.

