



## ELECTRO - MAGNETIC FEEDERS

BRUCE range of Electro-Magnetic Vibrating Feeders are well proven in the quarrying, mining, cement, chemical & food industries.



### Features

- Heavy duty construction ensures extra durability
- Infinitely variable feed control
- HARDOX® liners as standard
- Low maintenance
- Quiet operation
- Easy to fit to either new or existing plant

### Options

- Various sizes built to meet customer requirements
- The conveying troughs can be manufactured in mild, stainless or high strength steel (WELDOX®)
- Adjustable angle grizzly section
- Pan sizes can be varied to suit individual requirements
- Bolt on "bin bottom" complete with mounting brackets and hangers can be supplied to facilitate installation

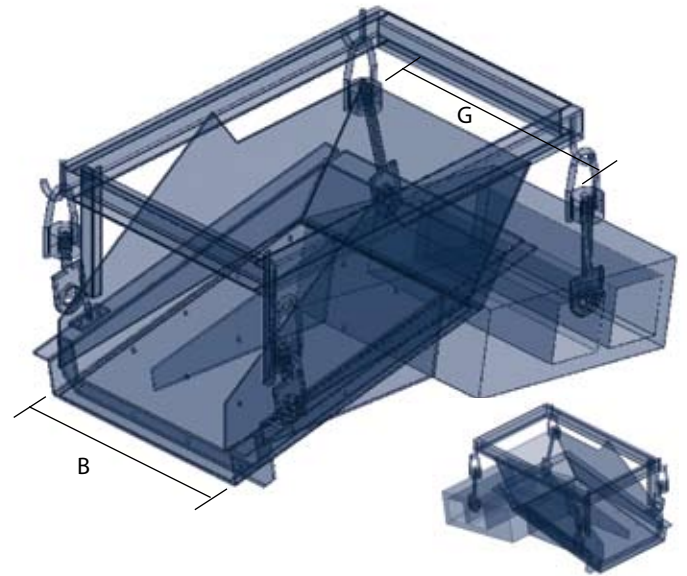
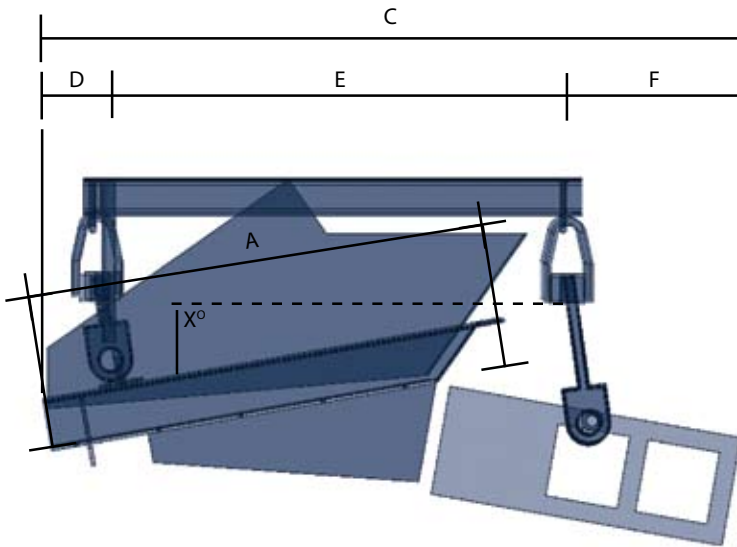
### Applications

- Aggregate
- Sand & Gravel
- Recycled Materials
- Glass
- Cement
- Foundry & Metals
- Plastics
- Animal Feeds
- Food
- Chemical
- Pharmaceutical





BRUCE ELECTRO - MAGNETIC FEEDERS ARE AVAILABLE IN A VARIETY OF SIZES, AS SHOWN IN THE TABLES BELOW:



		PAN SIZE		DIMENSIONS						
Size	Capacity TONS/HR	A	B	C	D	E	F	G HANGER CENTRES	X	
A	2-4	DIMENSIONS CAN BE OBTAINED ON REQUEST								
B	4-6									
C	6-15									
D	25-50	600	400	1350	100	850	400	470	10°	
E	80-100	900	600	1500	120	1055	325	450	10°	
F	160-220	1050	750	1875	170	1245	460	800	10°	
G	260-320	1250	900	2220	190	1490	540	930	10°	
GX	320-400	1750	1000	2820	400	1880	540	930	10°	
H	360-420	2000	1000	2930	470	1920	540	1020	10°	
K	420-480	2000	1250	3000	175	2000	825	1275	15°	
L	480-550	2500	1250	3600	500	2275	825	1275	15°	
M	550-650	3000	1250	4140	540	2900	700	1275	15°	

## Capacities

The above capacities are approximate, as the feed rate depends on the bulk density and the flowability of the material being fed.

## Dimensions

These dimensions are designed as a guide. Detailed drawings are provided for installation.

Disclaimer- The information on this document is for reference only and can be changed without notice at any time. Please note any performance information is for guidance only and is not guaranteed.

