



VIBRATING SCREENS

BRUCE Vibrating Screens are designed to have a high screening efficiency with the additional advantage of requiring a minimum of maintenance. Screens are driven by either a single or double motor drive depending on the application and the nature of the material to be screened.



Features

- Robust build for tough applications
- High acceleration rate to ensure optimum screening
- Fabricated folded construction in either mild or stainless steel
- Low maintenance. Vibrating motors provide the driving force, eliminating the need for complicated shaft assembly and belt drives
- Heavy duty single motor base, using a fabricated and machined construction
- Heavy duty double motor base using a high tensile steel tube with machined motor bases. The tubular construction allows high resistance to forces applied from any direction. (Machined to ensure prolonged motor life.)
- High frequency screening can be achieved with apertures less than 1mm

Options

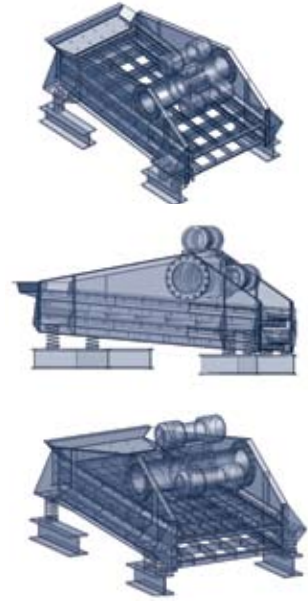
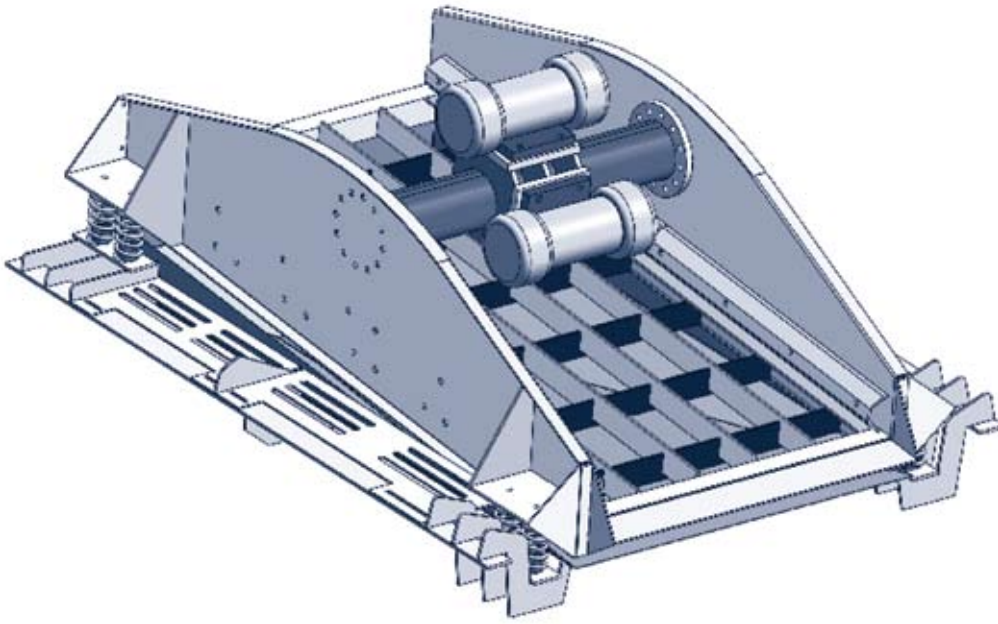
- Single, double or triple deck screens available
- Screens can be side or end tensioned
- Dust encapsulation
- Non standard screen sizes to suit special applications

Applications

- Sand Stone
- Mineral Processing
- Sand & Gravel
- Recycling



BRUCE VIBRATING SCREENS ARE AVAILABLE IN A VARIETY OF SIZES, AS SHOWN IN THE TABLES BELOW:



SINGLE DECK SCREENS

Screen No	Deck Length	Deck Width	Overall Length	Overall Height	Overall Width	Screening Area x m ²
SV1	1250mm (4')	625mm (2')	1160mm (4')	650mm (2')	900mm (3')	0.78
SV2	1850mm (6')	900mm (3')	1760mm (6')	950mm (3')	1200mm (4')	1.67
SV3	1850mm (6')	1250mm (4')	1760mm (6')	1300mm (4')	1550mm (5')	2.31
SV4	2500mm (8')	1250mm (4')	2350mm (8')	1300mm (4')	1600mm (5')	3.12
SV5	2500mm (8')	1500mm (5')	2350mm (8')	1600mm (5')	1850mm (6')	3.75
SV6	3000mm (10')	1250mm (4')	2850mm (9')	1600mm (5')	1850mm (6')	3.75
SV7	3000mm (10')	1500mm (5')	2850mm (9')	1800mm (6')	1900mm (6')	4.50
SV8	3600mm (12')	1500mm (5')	3450mm (11')	1800mm (6')	1900mm (6')	5.40
SV9	3600mm (12')	1800mm (5')	3450mm (11')	1800mm (6')	2200mm (40')	6.48

DOUBLE DECK SCREENS

Screen No	Deck Length	Deck Width	Overall Length	Overall Height	Overall Width	Screening Area x m ²
DV1	1250mm (4')	625mm (2')	1160mm (4')	750mm (2')	900mm (3')	1.56
DV2	1850mm (6')	900mm (3')	1760mm (6')	1050mm (3')	1200mm (4')	3.34
DV3	1850mm (6')	1250mm (4')	1760mm (6')	1050mm (3')	1550mm (5')	4.62
DV4	2500mm (8')	1250mm (4')	2350mm (8')	1500mm (5')	1600mm (5')	6.24
DV5	2500mm (8')	1500mm (5')	2350mm (8')	1500mm (5')	1850mm (6')	7.50
DV6	3000mm (10')	1250mm (4')	2850mm (9')	1700mm (6')	1850mm (6')	7.50
DV7	3000mm (10')	1500mm (5')	2850mm (9')	1700mm (6')	1900mm (6')	9.00
DV8	3600mm (12')	1500mm (5')	3450mm (11')	2050mm (7')	1900mm (6')	10.80
DV9	3600mm (12')	1800mm (5')	3450mm (11')	2050mm (7')	2200mm (40')	12.96

DISCLAIMER- THE INFORMATION ON THIS DOCUMENT IS FOR REFERENCE ONLY AND CAN BE CHANGED WITHOUT NOTICE AT ANY TIME. PLEASE NOTE ANY PERFORMANCE INFORMATION IS FOR GUIDANCE ONLY AND IS NOT GUARANTEED.